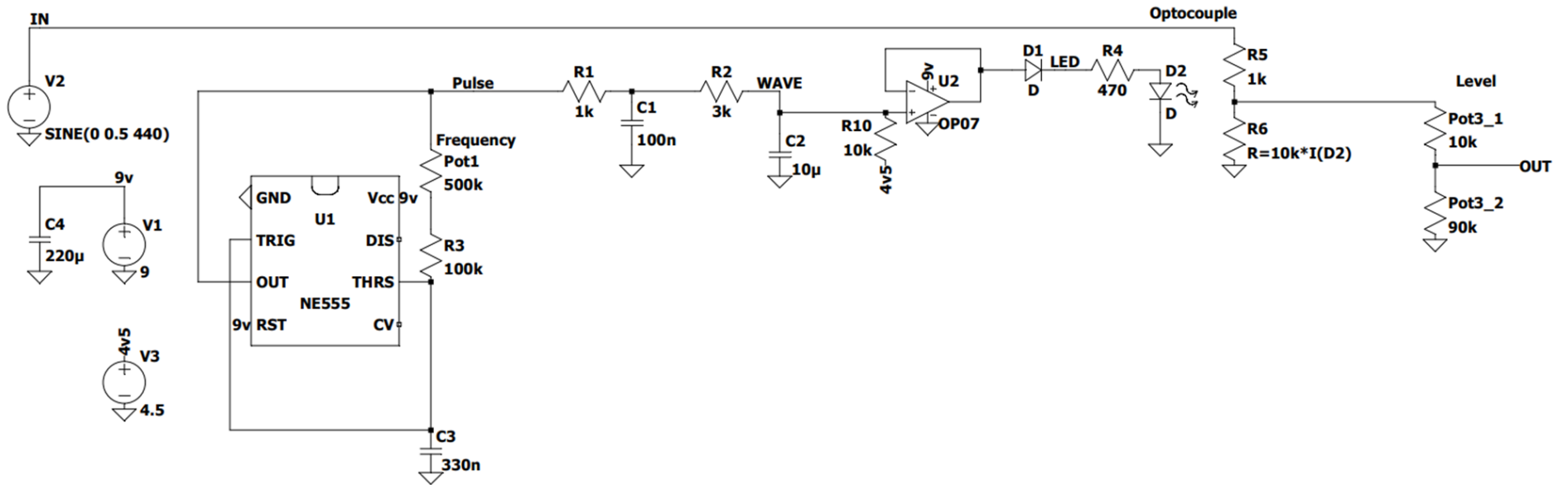


# Tremolo Effect Schematic



<p><i>ACDC Capstone Team</i>  <i>Ohio Northern University</i>  <i>Ada, OH 45810</i></p>	<p>UNLESS OTHERWISE SPECIFIED,  TOLERANCES ARE:  RESISTORS: ≤5%  CAPACITORS: ≤20%  POTENTIOMETERS: ≤20%</p>	Drawing Name:	
		Tremolo Schematic	
		Date: 5/04/2022	Qty: 1